

KE 610

6 Digit Counter, Non Reset

Features

- Low Cost, Large Quantity Discounts
- Patented High Performance Mechanism
- UL & CSA Approved (KE610)
- Rugged Plastic Package
- Many Voltage Ranges Available
- Long Life



Applications:

The compact design and various mounting styles of the KE610 make it the ideal counter for almost all counting applications. This electro-mechanical counter will not lose its count during power failures or from electrical noise. The KE610 is used in:

- MAIL EQUIPMENT
- PHOTO MACHINES
- VENDING MACHINES
- GAMING MACHINES
- ELEVATORS
- COPY MACHINES
- TICKET MACHINES

Description:

The KE610 Series incorporates the latest manufacturing technology together with a patented basic design to achieve high performance over a wide temperature range with low power consumption. These counters can be mounted by 2 front flange styles, base flange, behind the panel (front mount), or rear screws. The KE610 has UL/CSA approvals and can operate over a wide voltage range of DC or AC power.

Specifications:

Digits: 6

Digit Size: 0.160" white on black. Colors available.
Special 0-5-0-5 available.

Operating Voltage $\pm 10\%$:

DC: 4.5, 6, 12, 24, 48, 115 (2W)

AC: 24, 48, 120, 230 (5VA)

Reset: None

Count Speed: 10 CPS, standard. 50/50 ratio on/off.

Max. On Time: Infinite

Temperature: Storage: 14°F to 122°F (-10°C to +50°C).

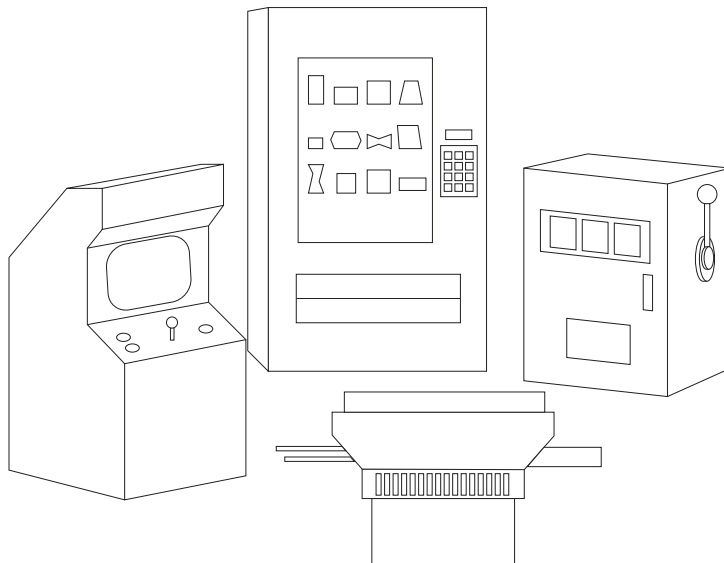
Operating: 23°F to 104°F (-5°C to +40°C).

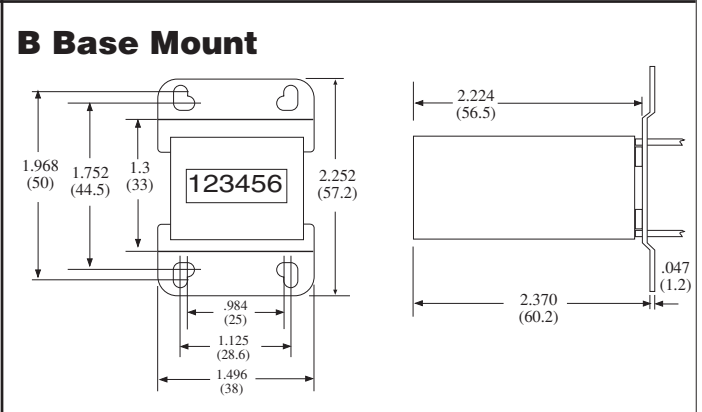
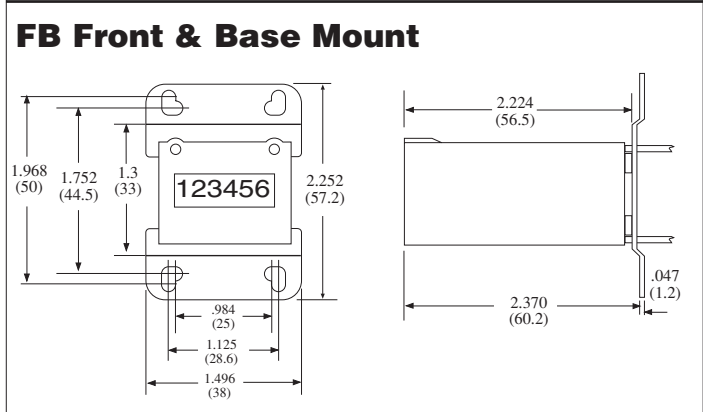
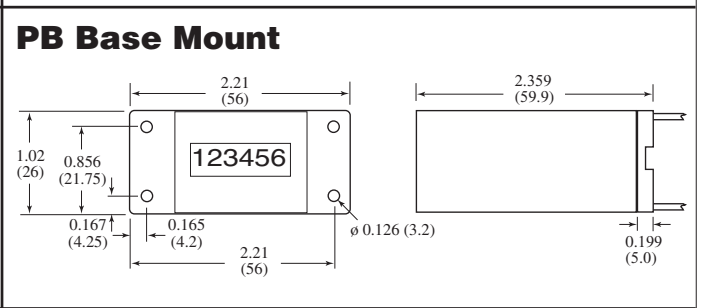
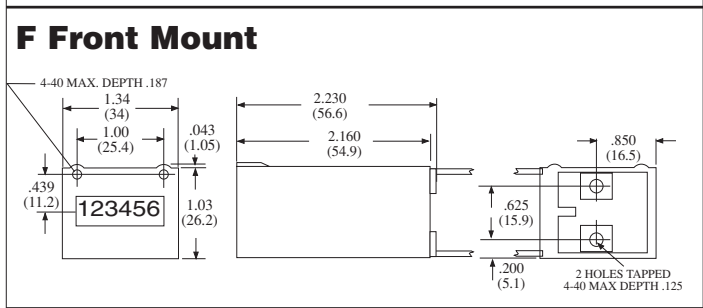
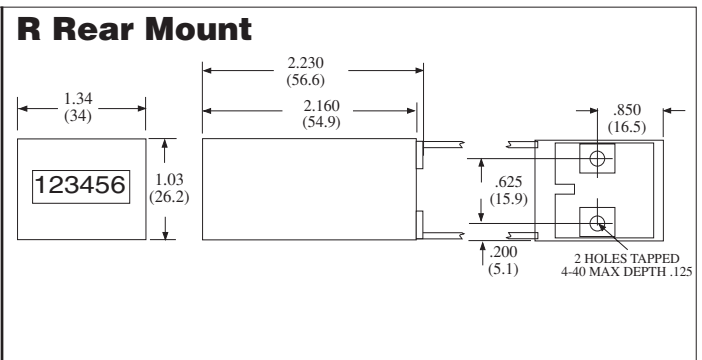
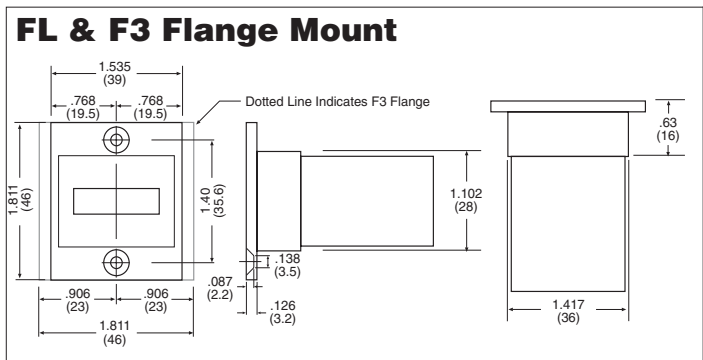
Approvals: UL# E60420, CSA# LR 91109-4

Termination: UL/CSA wire leads, 10" long, standard.

Specials: Many specials available. Consult factory.

Weight: 4 oz. (113 g.)





How To Order

EXAMPLE: KE 610 A FB 10 DC 12

Series _____
 KE610 = 6 Digit

Special Features _____
 (Omit if no special feature desired)
 A = Add Diode Suppression (DC only)
 .01 = Coin, 2 wheels red on black
 .05 = Coin, 2 wheels red on black (steps 05, 10, 15 ...)

Mounting _____
 FL = Flange Mount 1.535" x 1.811"
 F3 = Flange Mount 1.811" x 1.811"
 F = Front
 FB = Front & Base
 PB = Plastic Base Mount
 R = Rear Mount
 B = Base Mount

Count Speed _____
 10 = 10 CPS (Standard)

Operating Voltage _____
 AC
 DC

Voltage Level _____
 DC: 4.5, 6, 12, 24, 48, 110
 AC: 24, 48, 120, 240