

# SCPT

## Preset Timer with LED Display & Thumbwheel Preset

### Features

- 6 Large, LED Digits
- Contact Closure, 3 to 30 Volt DC Start/Stop Pulse
- AC or DC Power
- Remote & Front Panel Reset
- Screw Terminal Connection
- Times Up or Down



### Applications:

Ideal for controlling precise test times and cycle periods in industrial and engineering applications.

### Description:

The SCPT is a 4 or 6 digit, AC or DC powered, single or 2 stage timer with an internal crystal 10 kHz time base. The SCPT times up to the preset number or down from the preset. The 110/220-50 to 400 Hz power supply powers the timer and generates 80 mA of 12 Volts to power input devices. Outputs feature 10 Amp relays, 2 Amp triacs or open collector transistor outputs. The SCPT case is rugged aluminum with cast aluminum bezel. Surface, wall and panel mounting together with up to 6 brilliant .430" red orange LED's make the SCPT a versatile, rugged and attractive preset timing instrument.

### Specifications:

**Display:** 4 and 6 digit high efficiency .430" red orange LED's standard.

**Operating Voltage:** Built-in 110 VAC 50 to 400 Hz power supply standard. 220/50 to 400 Hz supply optional. 80 milliamps of 12 VDC is available to power external input devices: 12 and 24 VDC supplies may also be used to operate unit.

**Power Consumption:** Less than 260mA required for DC operation with all options. AC power consumption less than 5 watts with all options.

**Timing Inputs:** SCPT versions time up to the preset number or down from the preset number. Time down versions permit 2 set points to be entered on the same set of thumbwheel switches (optional).

### Input to Time:

**C - Continuous contact closure -** The timer will measure the length of time that a contact is closed when used in this mode. If the contact is opened (stopping timing) and then closed again, timing will resume from the stopping point; it will not reset. Any DC voltage from 3 to 30 volts or the +12 volt output will operate the input.

**J.K. - Pulse on/Pulse off -** The timer will measure the time interval between the leading edges of two pulses or two momentary switch closures. The first pulse will start the timer and the second will stop timing. A third pulse will start timing again without resetting the display. This sequence can continue indefinitely. Any DC voltage from 3 to 30 volts or the +12 volt output will operate the J.K. input. Minimum pulse width is 12 ms.

**Preset:** Preset number may be changed without affecting time. Count up timers only. (See mode of operation "LR" - How To Order).

**Reset:** Reset is active high and occurs on the leading edge of the reset signal. It is sustained until after the trailing edge. Reset overrides counting or timing functions.

**Control Outputs:** 10 Amp relays, 2 Amp solid state relays, or open collector transistors available. See "How To Order".

**Power Consumption:** All 6 digits lit to the number 8;180 milliamps.

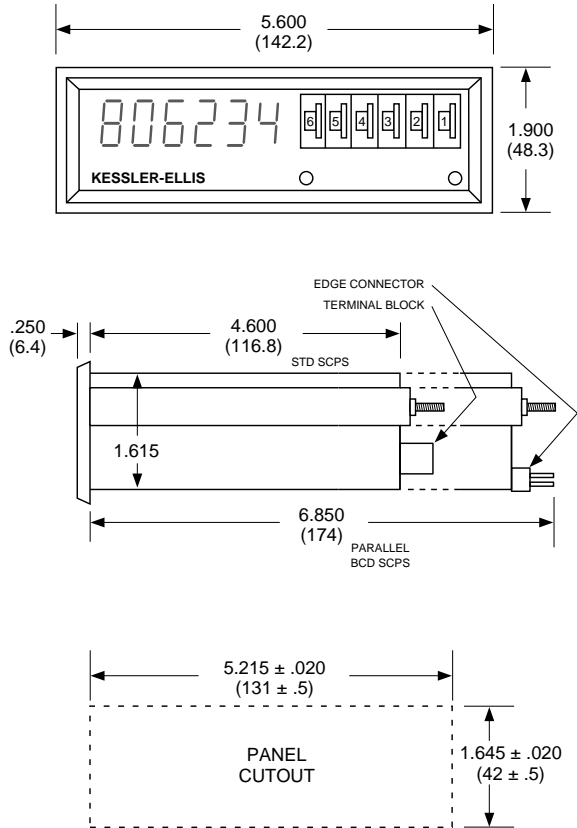
**Battery Standby:** Optional: During power outage, display blanks to conserve energy. Current consumption during "standby" is 25 milliamps/8 volts.

**Mounting:** Rugged metal bracket for panel mounting. Attractive and versatile surface and bench mounts available (see mounting).

**Temperature:** +32° F (0°C) to +140°F (60°C) standard.

**Termination:** Screw Terminal block

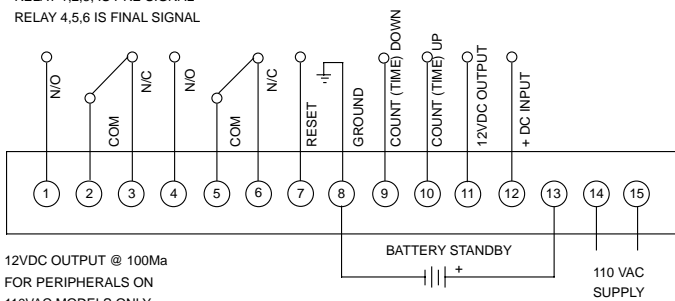
## Mounting:



Note: BCD Option is no longer available.

## Wiring:

2 FORM C - 8AMP RELAY OUTPUTS  
IF DUAL PRESET COUNTER (TIMER)  
RELAY 1,2,3, IS PRE SIGNAL  
RELAY 4,5,6 IS FINAL SIGNAL



12VDC OUTPUT @ 100Ma  
FOR PERIPHERALS ON  
110VAC MODELS ONLY

## How To Order:

EX: SCPT MX100 16 P 2 C(12) 5 U 1 B2

### Series

### Resolution

- S = Seconds only
- SX10 = Seconds and tenths
- SX100 = Seconds and hundredths
- SX1000 = Seconds and thousandths
- MX100 = Minutes and hundredths
- HMS = Hours, minutes and seconds
- MS9 = Minutes, seconds and hundredths;

### No. of Digits

- 14 = 4 digits
- 16 = 6 digits

### Mounting

- P = Panel
- B = Bench
- W = Wall

### Reset

- 1 = Panel
- 2 = Remote
- 3 = Both

Add LR to change preset without effecting time (available on "U" (time up) mode only)

### Input to Time

(specify Voltage)

- C ( ) = Switch Closure
- JK ( ) = Voltage = pulse on/pulse off

### Power Supply Voltage

- 1 = 12 VDC ± 10%
- 2 = 24 VDC ± 10%
- 5 = 110 VAC/50 to 400 Hz
- 6 = 220 VAC/50 to 400 Hz

### Mode of Operation

- U = Times up to preset
- D = Times down from preset to zero

### Presets

- 1 = 1 variable preset, standard
- 2 = Fixed presignal (D Mode only) (specify value)
- 3 = 2 variable presets (D Mode only)

### Control Outputs

- A = Relay latched til reset (specify 1 or 2 form C)
- B = Relay auto-recycling (specify 1 or 2 form C)
- Solid State Relays - 2 Amps 120 VAC only
- C = Triac latched til reset (specify 1 or 2 relays)
- D = Triac auto-recycling (specify 1 or 2 relays)
- Open Collector 300 milliamps 3 to 30 VDC only
- V = Normally off, turns on 'til reset
- W = Normally off, auto-recycling
- Dual Outputs - Relays - 10 Amps -(Down Counters Only)
- M = Relay presignal latched 'til reset, relay final signal latched 'til reset
- N = Relay presignal latched 'til reset, relay final signal auto-recycling
- H = Relay presignal momentary relay final signal latched 'til reset
- O = Relay presignal momentary relay final signal auto-recycling