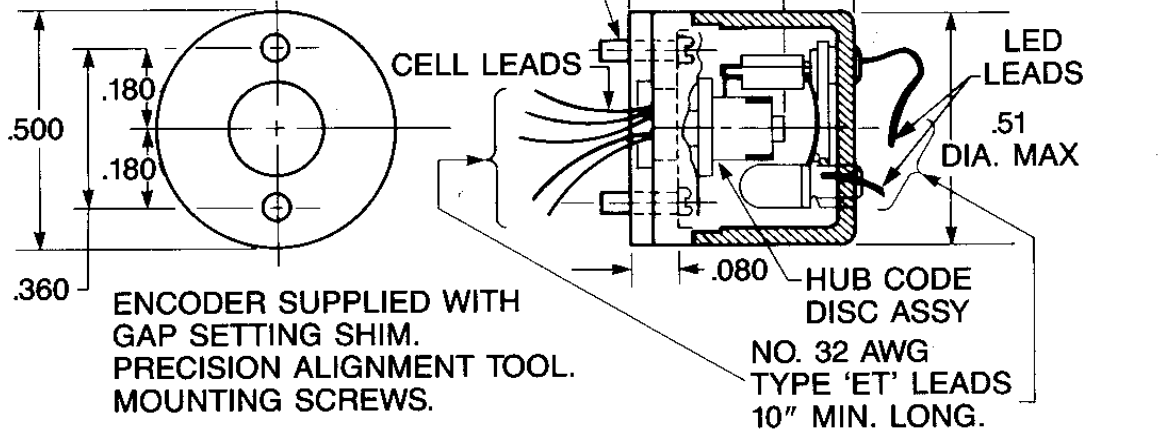


**Model VOE005**  
 Precision Sales Inc  
 610-35-1002  
 www.precision-sales.com

**MOUNTING HARDWARE  
 SUPPLIED: PAN HEAD  
 00-96 x 0.1875 LONG  
 (2 PL'S)**



**ENCODER SUPPLIED WITH  
 GAP SETTING SHIM.  
 PRECISION ALIGNMENT TOOL.  
 MOUNTING SCREWS.**

**ELECTRICAL**

<b>Voltage</b>	5 to 15 VDC
<b>Frequency Response</b>	100kHz (Standard)
<b>Resolution*</b>	250, 256 & 360PPR
<b>Code</b>	Dual Channel in Quadrature w/Index
<b>Accuracy</b>	
<b>Pulse to Pulse</b>	±1%
<b>Pulse to Any Pulse</b>	±3 arc minutes

\*Other counts are available on special order.

**Please note:** This model provides a raw, sine wave output.  
 Additional signal conditioning circuitry is required.  
 Consult factory for interface circuitry details.

**MECHANICAL**

<b>Mounting</b>	Flange, Servo, Face
<b>Shaft Seals</b>	Available
<b>Leads</b>	Pigtail Standard
<b>Connectors</b>	Available
<b>Vibration</b>	5-2Khz @ 20 G's
<b>Temperature</b>	0°C to 70°C (Std Operating) -54°C to 85°C (Optional) -65°C to 95°C (Storage)
<b>Humidity</b>	Non-condensing
<b>Shock</b>	50 G's, 11ms

ENCODER OUTPUT

