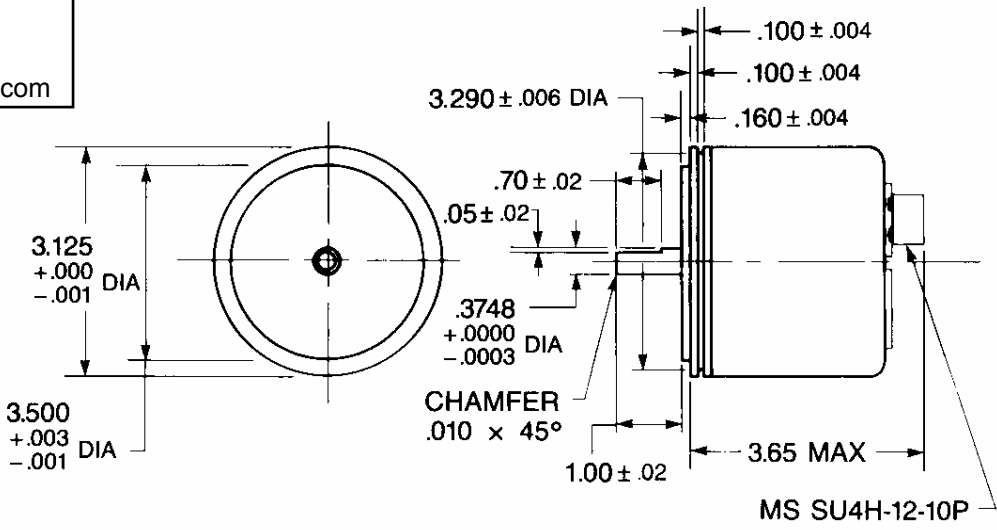
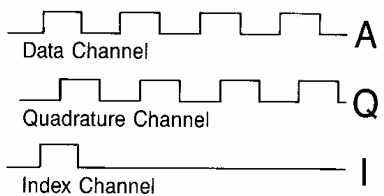


Model VOE35
 Precision Sales Inc
 610-35-1002
 www.precision-sales.com



ELECTRICAL		MECHANICAL	
Voltage	5 to 15 VDC	Mounting	Flange, Servo, Face
Frequency Response	100kHz (Standard)	Shaft Seals	Available
Resolution*	250, 256, 500, 512, 1000, 1024, 1080, 2000, 2048 2500 & 4096PPR	Leads	Pigtail Standard
Code	Dual Channel in Quadrature w/Index	Connectors	Available
Multiplication	Available	Vibration	5-2Khz @ 20 G's
Complimentary	Available	Temperature	0°C to 70°C (Std Operating) -54°C to 85°C (Optional) -65°C to 95°C (Storage)
Output	PS- Photo-sensor PU- Pull-up OC- Open Collector LD- Line Driver	Humidity	Non-condensing
Accuracy		Shock	50 G's, 11ms
Pulse to Pulse	±1%		
Pulse to Any Pulse	±3 arc minutes		

ENCODER OUTPUT
 (CLOCKWISE WHEN VIEWING SHAFT)



*Other counts are available on special order.