

SPECIFICATIONS

ELECTRICAL

RESISTANCE-----	10K OHMS
RESISTANCE TOLERANCE-----	±20%
LINEARITY (INDEPENDENT)-----	±5.0%
POWER RATING-----	0.1 WATT
LEVER ELECTRICAL ANGLE-----	40° MAX.
RESOLUTION-----	ESSENTIALLY INFINITE
OUTPUT SMOOTHNESS-----	BELOW 0.2% AGAINST INPUT VOLTAGE
CONTACT RESISTANCE VARIATION-----	BELOW 6% C.R.V.
INSULATION RESISTANCE-----	1000 MEGA OHMS @ 500VDC.
DIELECTRIC STRENGTH-----	1 MINUTE AT 500 VAC
MAX. WIPER OUTPUT-----	10MICRO AMP RECOMMENDED, 1 mA MAX.
SWITCH RATING-----	0.1AMP AT 30 VDC

MECHANICAL

RANGE OF OPERATING LEVER-----	±20° ~ ±25° FROM CENTER
OPERATING FORCE-----	APPROX. 3.52 ~ 8.8 OZ.-F.
OPERATING TEMPERATURE-----	-20°C TO +60°C
LIFE EXPECTANCY-----	2 MILLION OPERATIONS
WEIGHT-----	APPROX. 19.4 OZ.
SHOCK-----	30G

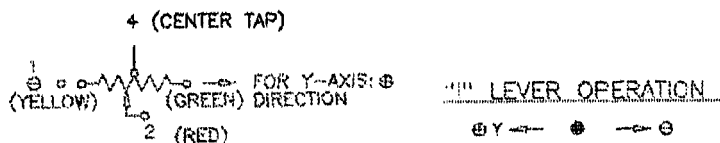
MATERIALS

HOUSING-----	HIGH TEMP. THERMO PLASTIC
ELEMENT-----	CONDUCTIVE PLASTIC

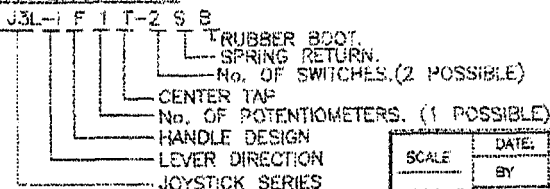
SWITCHING EVENTS

- *Y FORWARD SWITCH 'ON'(OFF WHEN BACK OR CENTER)
- *Y BACK SWITCH 'ON'(OFF WHEN FORWARD OR CENTER)

SCHEMATIC

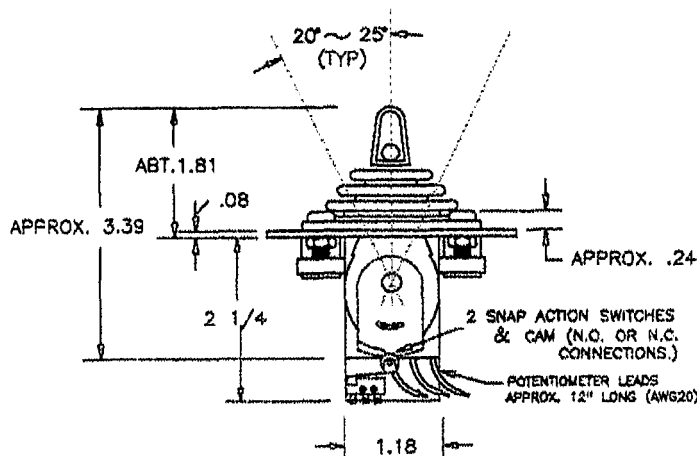
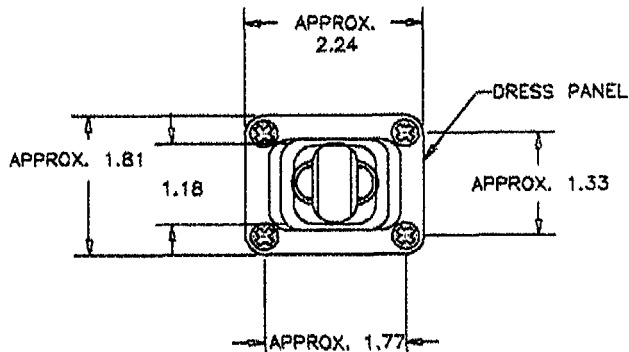


NOMENCLATURE



THIS DOCUMENT CONTAINS PROPRIETARY DATA OF POLARS INDUSTRIAL ENTERPRISES, INC. NO DISCLOSURE, REPRODUCTION, OR USE OF ANY PART THERE OF MAY BE MADE EXCEPT BY WRITTEN PERMISSION.

REV.	BY	DATE	E/LN	J3L-IF1T2-SB
B	AT	2-5-03	ADDED SWITCHING EVENTS	



SCALE	DATE: 8-28-01
NONE	BY: AT
CODE IDENT: 19477	APPROV'D

Precision Sales
610-359-1002
F: 610-353-1674

TITLE
JOYSTICK

PART NO.
J3L-IF1T2-SB