

SPECIFICATIONS

ELECTRICAL

RESISTANCE RANGE _____ 1/2 OHM TO 300K OHM
 RESISTANCE TOLERANCE _____ ±5%
 LINEARITY,INDEPENDENT _____ SEE CHART
 RESOLUTION _____ SEE CHART
 END RESISTANCE _____ 1 OHM OR 1%
 ELECTRICAL TRAVEL _____ SEE CHART
 NOISE _____ 100 OHMS MAX
 POWER RATING _____ SEE CHART
 INSULATION RESISTANCE _____ 100 MEGOHMS @ 1000 VDC
 DIELECTRIC STRENGTH _____ 1000 VAC MIN.

MECHANICAL

NUMBER OF TURNS _____ SEE CHART
 MECHANICAL TRAVEL _____ SEE CHART
 TORQUE,ROTATIONAL _____ 1.7 OZ.IN.
 SHAFT END PLAY _____ .005 T.I.R.
 LIFE (SHAFT REVOLUTIONS) _____ SEE CHART
 STOP STRENGTH _____ 125 OZ.IN. MIN.

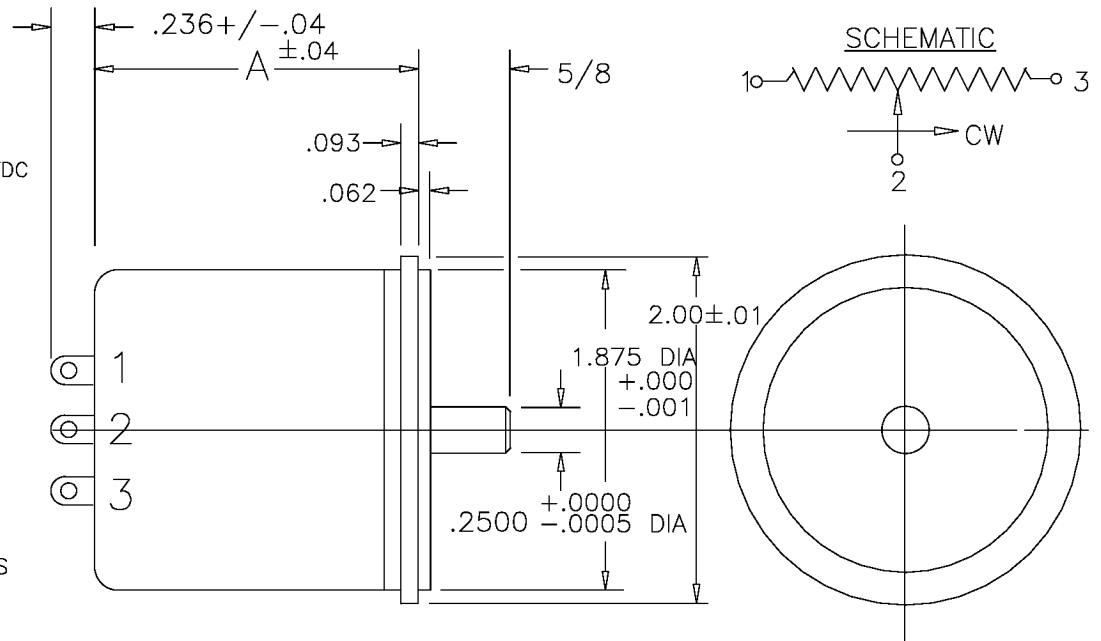
ENVIRONMENTAL

OPERATING TEMPERATURE _____ -55°C TO 105°C
 TEMPERATURE COEFFICIENT _____ SEE CHART
 VIBRATION _____ 10HZ TO 2000HZ 15G
 SHOCK _____ 50G 11MS
 MOISTURE RESISTANCE _____ 40°C 95%RH 120 HOURS

OPTIONS

SPECIAL SHAFTS
 BUSHING MOUNT
 DUAL GANGS
 SPECIAL LINEARITY
 SPECIAL RESISTANCES

REV.	BY	DATE	PART NO.
C	BT	10-2-00	MR46S
			TERMINALS WERE TIN PLATED



% RESOLUTION AND TEMPERATURE COEFFICIENT CHART

RESIS. MODEL	# SLIDEWIRE (INFINITE RESOLUTION)																	ELECTRICAL TRAVEL	MECHANICAL TRAVEL	LINEARITY (IND.)	NO. OF TURNS	POWER RATING @ 40°C	ROTATIONAL LIFE (TURNS)	WEIGHT	A DIM.			
	.5	1	2	5	10	20	50	100	200	500	1K	2K	5K	10K	20K	50K	100 K									200 K	300	
-3	#	#	#	#	#	.180	.145	.105	.084	.066	.048	.054	.043	.031	.024	.019	.014	.012			1080°±5°	1080°+10°-0°	0.5%	3	2 WATTS	600,000	3.2 OZ.	1.72
-5	#	#	#	#	#	.108	.078	.061	.048	.035	.039	.031	.024	.017	.013	.009	.008			1800°±5°	1800°+10°-0°	0.5%	5	2.5 WATTS	1,000,000	3.2 OZ.	1.72	
-10	#	#	#	#	#	.050	.040	.031	.023	.026	.020	.015	.012	.009	.007	.005	.004	.004			3600°±5°	3600°+10°-0°	0.25%	10	5.0 WATTS	2,000,000	4.2 OZ.	2.42
TEMPCO	80 PPM/°C										20 PPM/°C																	

MATERIAL

HOUSING _____ ALUMINUM,ANODIZED
 SERVO LID _____ ALUMINUM,ANODIZED
 SHAFT _____ STAINLESS STEEL
 TERMINALS _____ SILVER PLATED
 BEARINGS _____ BUSHING

SCALE NONE

DATE: 2-8-87

BY

APPRV'D BT

CODE IDENT: 19477

THIS DOCUMENT CONTAINS PROPRIETARY DATA OF POLARIS INDUSTRIAL ENTERPRISES, INC. NO DISCLOSURE, REPRODUCTION, OR USE OF ANY PART THERE OF MAY BE MADE EXCEPT BY WRITTEN PERMISSION.

TOLERANCES

XX = +/- .010" FRACT. = +/- 1/64"
 XXX = +/- .005" ANGLES = +/- 1/2"

ALL SPECIFICATIONS SUBJECT TO CHANGE WITHOUT NOTICE.

TITLE
 WIREWOUND
 MULTI-TURN
 POTENTIOMETER

Precision Sales Inc
 610-359-1002
 F: 610-353-1674
 www.precisionsales.com

PART NO.

MR46S