

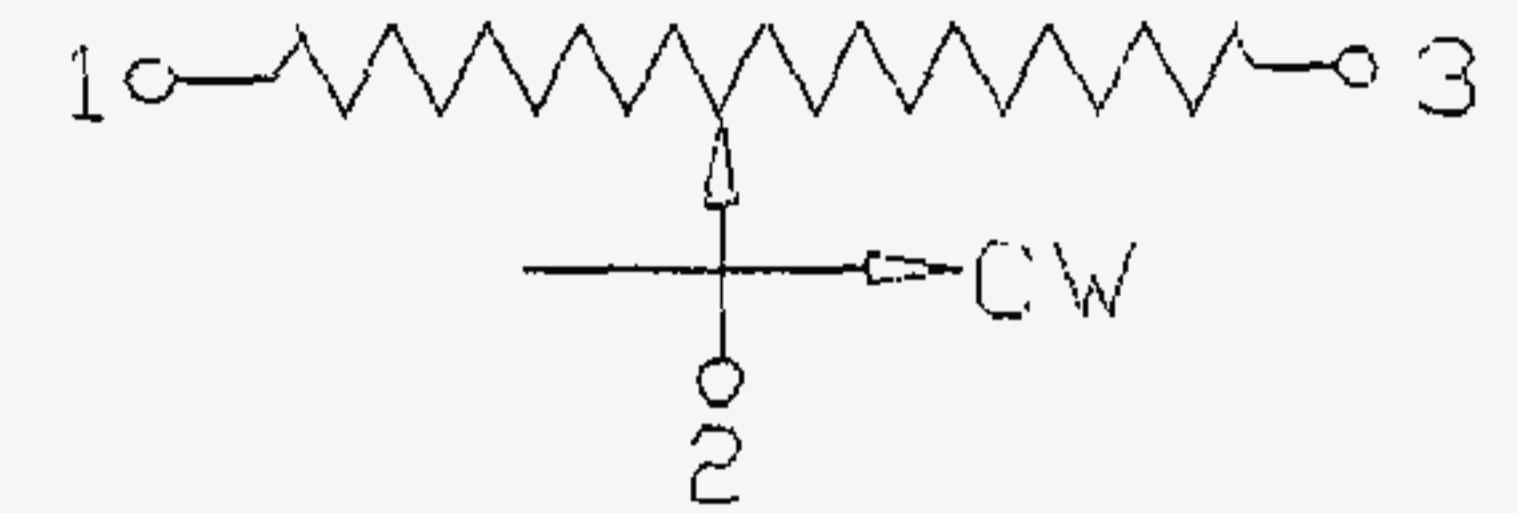
# SPECIFICATIONS

RESISTANCE RANGE-----500 TO 100,000 OHMS  
 RESISTANCE TOLERANCE-----±10%  
 LINEARITY (INDEPENDENT)-----±10%  
 POWER RATING-----1.0 WATTS

ELECTRICAL ANGLE-----320°±5°  
 MECHANICAL ANGLE-----320°±5°  
 STOP STRENGTH-----84 OZ.IN.MIN.  
 END RESISTANCE-----0.2% MAX.  
 RESOLUTION-----ESSENTIALLY INFINITE  
 OUTPUT SMOOTHNESS-----BELOW 0.1% AGAINST INPUT VOLTAGE  
 CONTACT RESISTANCE VARIATION-----BELOW 2%  
 INSULATION RESISTANCE-----1000MEGOHMS @ 500VDC MIN.  
 DIELECTRIC STRENGTH-----500 VAC  
 STARTING TORQUE-----0.8 OZ.IN.MAX.  
 TEMPERATURE COEFFICIENT-----±400 PPM/°C  
 OPERATING TEMPERATURE----- -55°C TO +105°C  
 ROTATIONAL LIFE-----10 MILLION TURNS MIN.

REV.	BY	DATE	PART NO.	SP22ES
C	BT	6-3 99	-55°C WAS	-30°C

## SCHEMATIC



## MATERIALS

HOUSING-----HIGH TEMP. THERMO PLASTIC  
 TERMINALS-----GOLD PLATED BRASS  
 SERVO MOUNT -----ALUMINUM  
 SHAFT -----STAINLESS STEEL  
 ELEMENT-----CONDUCTIVE PLASTIC  
 BEARINGS-----BALL BEARINGS

