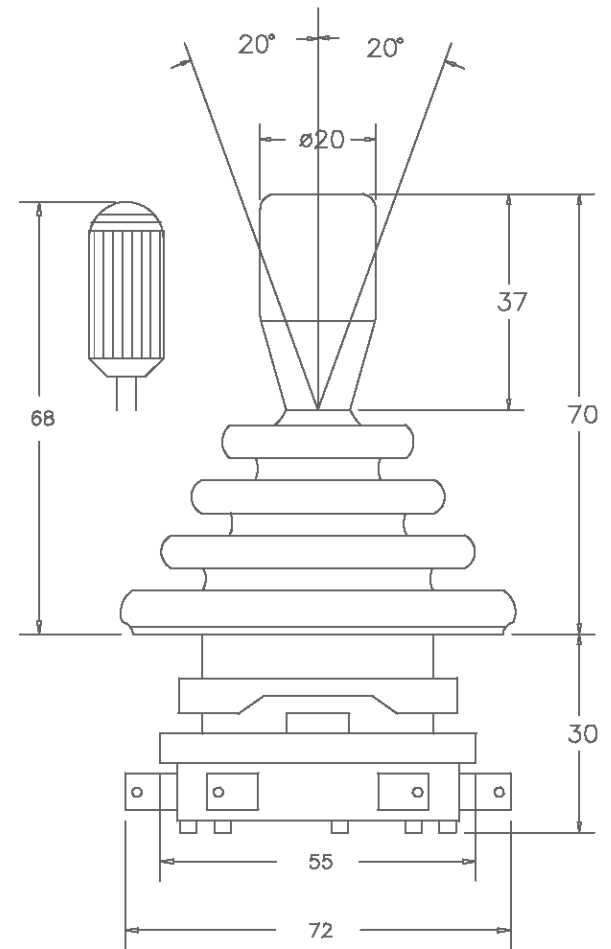
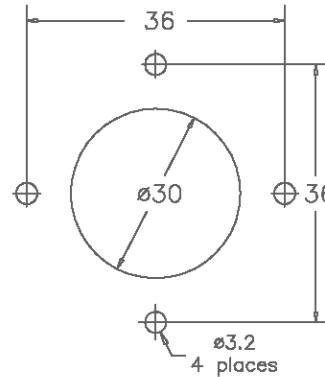


THIS DOCUMENT CONTAINS PROPRIETARY DATA OF POLARIS INDUSTRIAL ENTERPRISES, INC. NO DISCLOSURE, REPRODUCTION, OR USE OF ANY PART THERE OF MAY BE MADE EXCEPT BY WRITTEN PERMISSION.

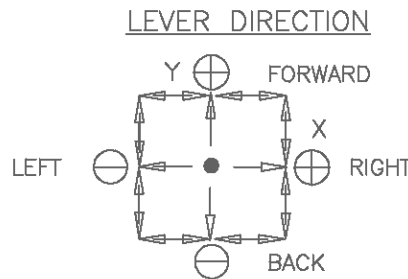
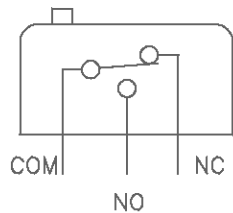
REV.	BY	DATE	APPRVL.	P/N	J20-YQ4-R2G

ELECTRICAL CHARACTERISTICS.

SWITCH TYPE _____ V6
 NO. OF SWITCHES _____ 4
 NOMINAL CURRENT _____ 10 AMP
 MAX VOLTAGE _____ 250 VAC
 CONTACT LIFE _____ LOAD DEPENDANT
 TERMINATION _____ SOLDER
 OPERATING TEMPERATURE _____ -20°C - +50°C
 MECHANICAL LIFE _____ > 5 MILLION OPERATIONS
 LEVER TRAVEL _____ ±20° FROM CENTER
 LEVER MATERIAL _____ STAINLESS STEEL
 BODY MATERIAL _____ MINERAL FILLED NYLON-6
 KNOB MATERIAL _____ NYLON OR ALUMINUM
 BOOT MATERIAL _____ VINYL
 ENVIRONMENTAL _____ IP 65 ABOVE PANEL



SWITCH SCHEMATICS:



ALL DIMENSIONS ARE IN mm

ALL SPECIFICATIONS SUBJECT TO CHANGE WITHOUT NOTICE.

SCALE	DATE:	11-19-08
	BY	AT
NONE	APPRV'D	
CODE	IDENT:	19477

Precision Sales
 610-359-1002
 F: 610-353-1674

TITLE

SWITCH
 STICK

PART NO.

J20-YQ4-R2G