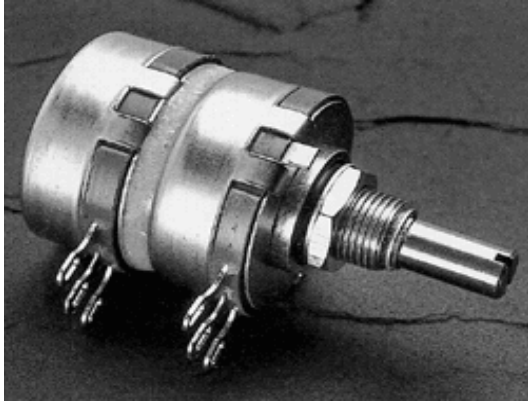




**Precision Series KK - 2 Watt multiple element 1/4" shaft diameter**



**Precision series KK/2RV7 potentiometers are suitable for both military and commercial applications requiring multiple elements. They can easily be customized to meet special requirements.**

**FEATURES:**

- hot molded carbon element
- gold-plated terminals
- stainless-steel shaft and housing
- quality meeting or exceeding MIL-R-94 - QPL listed

**OPTIONS:**

- custom shafts and bushings
- special tapers
- fourth (center) terminal
- concentric shafts
- attached switches

**ELECTRICAL SPECIFICATIONS:**

- Resistance range, linear taper:** 50  $\Omega$  to 5 Meg  $\Omega$
- Resistance range, logarithmic taper:** 150  $\Omega$  to 1 Meg  $\Omega$
- Resistance tolerance:**  $\pm 10\%$  or  $\pm 20\%$
- Resistance taper:** linear, logarithmic, reverse logarithmic;  
other tapers by special order
- Power rating:** 2 watts at 70°C derated to 0 watts at 120°C
- Insulation resistance:**  
**dry:** 10K Meg  $\Omega$   
**wet:** 100K Meg  $\Omega$
- Dielectric strength:** 900 V RMS at sea level
- Operating voltage:** 500 V, subject to power rating

**MECHANICAL SPECIFICATIONS:**

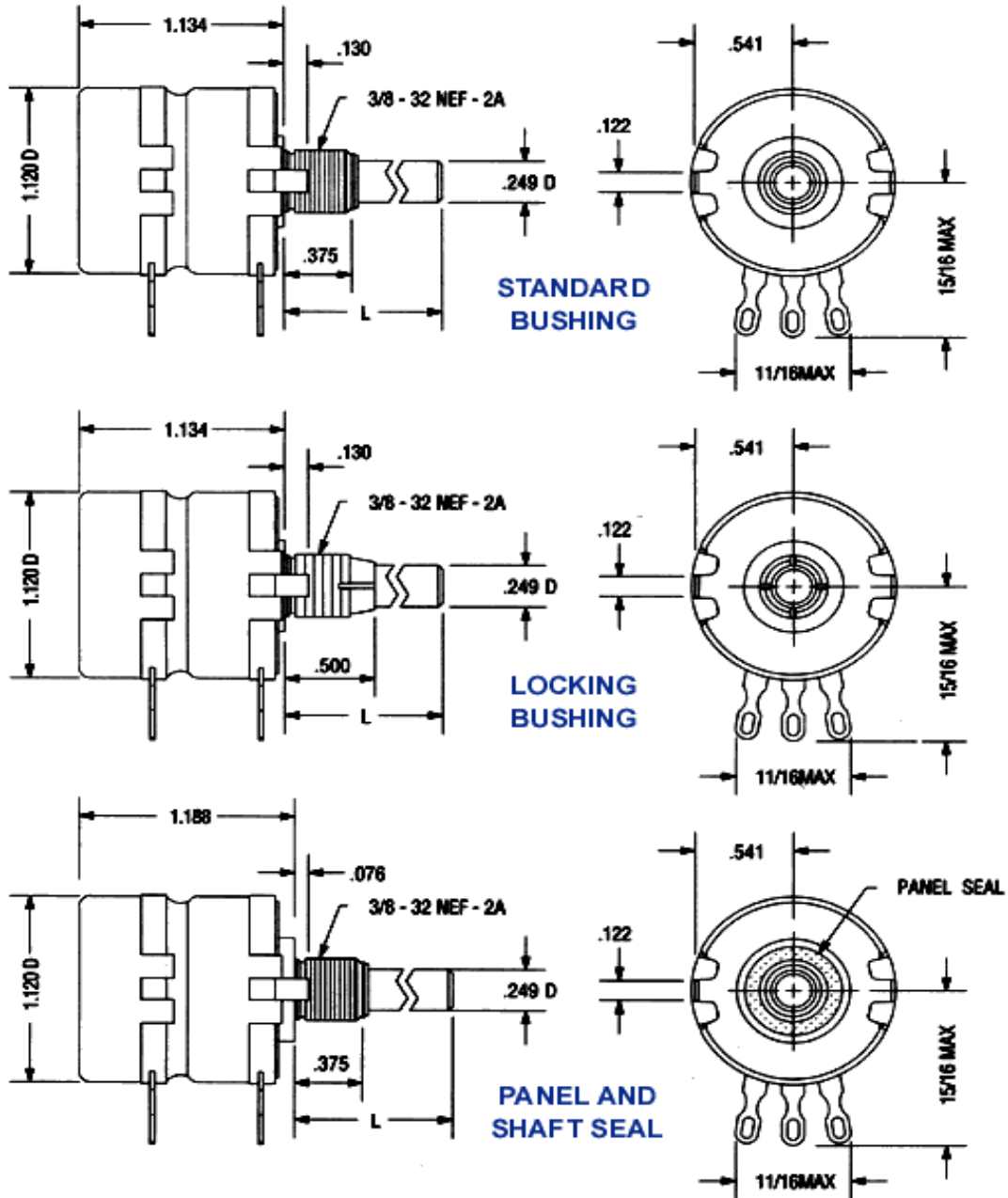
- Mechanical rotation:** 314°
- Operating torque:** 1 oz/in to 12 oz/in
- Rotational life:** 25,000 cycles

**ENVIRONMENTAL SPECIFICATIONS:**

- Operating temperature:** - 65°C to +125°C
- Resistance to soldering heat:** 350°C for 5 seconds
- Humidity range:** per MIL-R-94
- Vibration range:** per MIL-R-94
- Shock resistance:** per MIL-R-94
- Load life:** 1000 hours at 70°C



**DRAWING:**





**ORDERING INFORMATION:**

Ordering Information - Commercial Part Numbers							
Series	Bushing	Switch	Taper	Resistance Value	Tolerance	Shaft Style	Shaft Length
<b>KK</b> = series KK - dual element  <b>KKK</b> = series KKK - triple element	<b>Blank</b> = standard  <b>L</b> = locking  <b>W</b> = panel & shaft steel	<b>Blank</b> = without switch  <b>S</b> = SPST switch	<b>U</b> = linear  <b>A</b> = logarithmic <b>B</b> = reverse logarithmic	<b>Total resistance value in <math>\Omega</math>:</b> first 2 digits significant, third digit = number of zeroes	<b>1</b> = 10% of nominal  <b>2</b> = 20% of nominal	<b>R</b> = round <b>S</b> = slotted <b>F</b> = flatted	<b>16</b> = 1/2" <b>20</b> = 5/8" <b>24</b> = 3/4"  <b>28</b> = 7/8" <b>32</b> = 1" <b>40</b> = 1 1/4" <b>48</b> = 1 1/2" <b>64</b> = 2" <b>80</b> = 2 1/2" <b>96</b> = 3"
<b>Example: K KU1041S28</b> <b>note:</b> not all part number combinations are valid							

Ordering Information - Military Part Numbers						
Style	Bushing	Temperature & Moisture Characteristics	Shaft Style	Shaft Length	Resistance Value	Taper & Tolerance
<b>2RV7</b> = MIL style 2RV7	<b>N</b> = standard <b>L</b> = locking <b>S</b> = panel & shaft steel	<b>Y</b> = as per MIL-R-94	<b>S</b> = slotted <b>F</b> = flatted	<b>B</b> = 1/2" <b>A</b> = 5/8" <b>D</b> = 7/8" <b>G</b> = 1 1/4" <b>J</b> = 2" <b>K</b> = 2 1/2"	<b>Total resistance value in <math>\Omega</math>:</b> first 2 digits significant, third digit = number of zeroes	<b>A</b> = linear 10% <b>B</b> = linear 20% <b>C</b> = logarithmic 10% <b>D</b> = logarithmic 20% <b>E</b> = reverse logarithmic 10% <b>F</b> = reverse logarithmic 20%
<b>Example: RV4NAYS B000A</b> <b>note:</b> not all part number combinations are valid						

PRECISION SALES INC.  
 www.precision-sales.com  
 610-359-1002  
 F : 610-353-1674